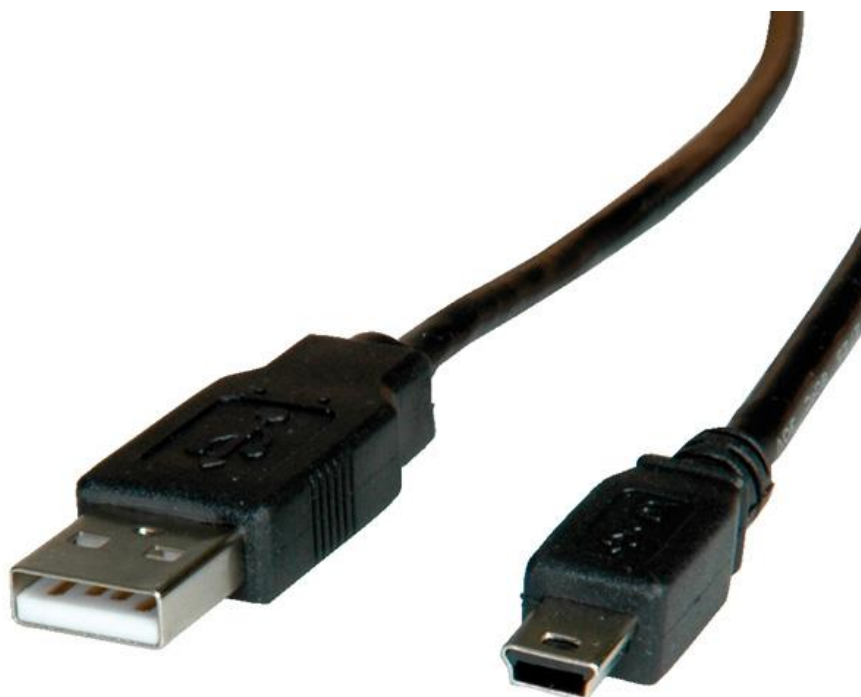




Datenblatt - Fiche technique - Data sheet

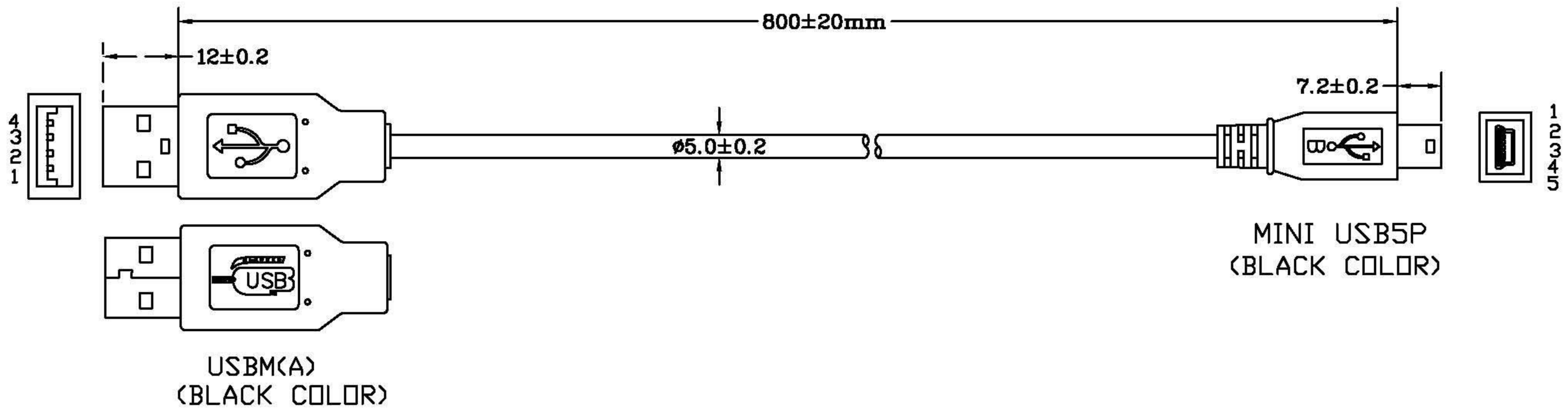
**11.02.8708**



ROLINE USB 2.0 Kabel, Typ A - 5-Pin Mini, 0,8m

ROLINE Câble USB 2.0, type A - mini 5- broches, 0,8m

ROLINE USB 2.0 Cable, A - 5-Pin Mini, M/M, 0.8 m



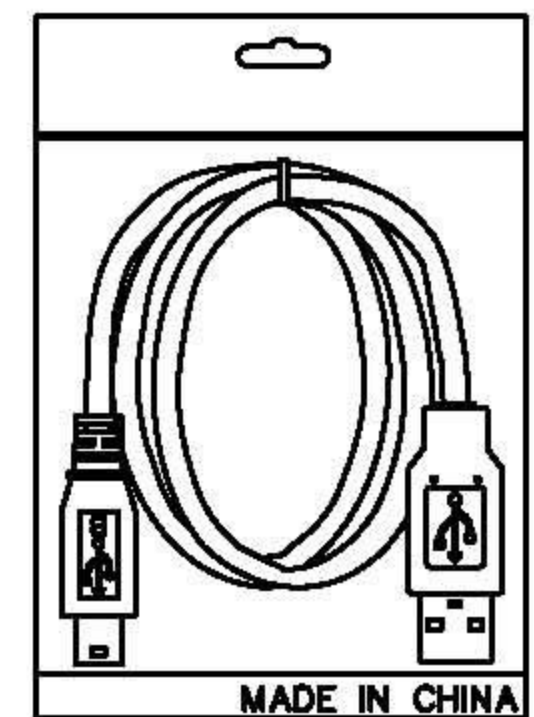
**NOTE:**

1. CABLE: UL2725, USB 2.0REV, AL+MG-FOIL, #28\*1P+#24\*2C, BLACK COLOR,  $\phi D=5.0 \text{ mm}$ , PVC JACKET.
2. LENGTH: 800mm.
3. CONNECTORS: USB4P(A)\*1 (BLACK INSULATION), MINI USB5P(MALE)\*1 (WHITE INSULATION) (PIN 5U").
4. MOLD: MOLDING USB4P(A) TYPE/MOLDING MINI USB 5P MALE TYPE.
5. CONTACTS:

USB4P(A)	1	2	3	4	64
MINI USB 5P	1 RED	2 WHITE	3 GREEN	5 BLACK	64 SHIELD

PAIRS

6. OPEN/SHORT TEST: 100% TEST.  
INSULATION: 2M ohms
7. ALL MUST BE MEET ON ROHS COMPLIANT.



1PC/PE BAG+RLA HEADER+LABEL

ROLINE USB 2.0 Cable, Type A-5-Pin mini, M/M, 0.8m			ITEM NO.	11.02.8708	NO	B	Rotronic Co.,Ltd.	SCALE	NON
REVISION	DATE	DISCRIPTION	DRAWN BY					UNIT(mm)	
REV.A/0	2011.08.30		DESIGNED BY					DRAWING NO.	
			APPROVAL BY						